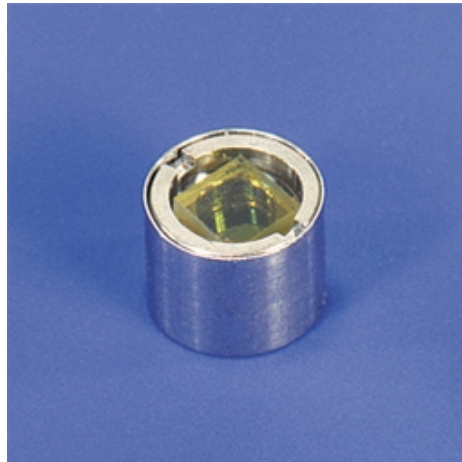


Shortpak Optical Isolators 1310nm and 1550nm

Product Description

ISOWAVE's new ShortPak MicroMini Optical Isolators offer new opportunities for Laser Diode manufacturers, requiring an in-package ultra high performance micro-mini isolator. The MicroMini isolators incorporate highly efficient optical components into a micro-miniature package. The ShortPak is offered in both C and L bands.



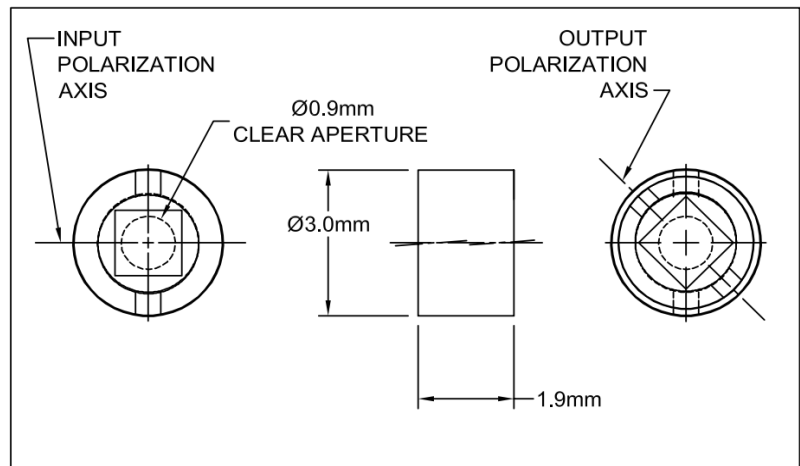
Applications

- Semiconductor Laser Modules
- Tunable Laser Modules
- Small Form Factor Laser Modules

Features

- Low Insertion Loss
- High Isolation
- Micro-Miniature Size
- Broad Bandwidth
- Wide temperature range
- Polaziation alignment

OUTLINE DRAWING



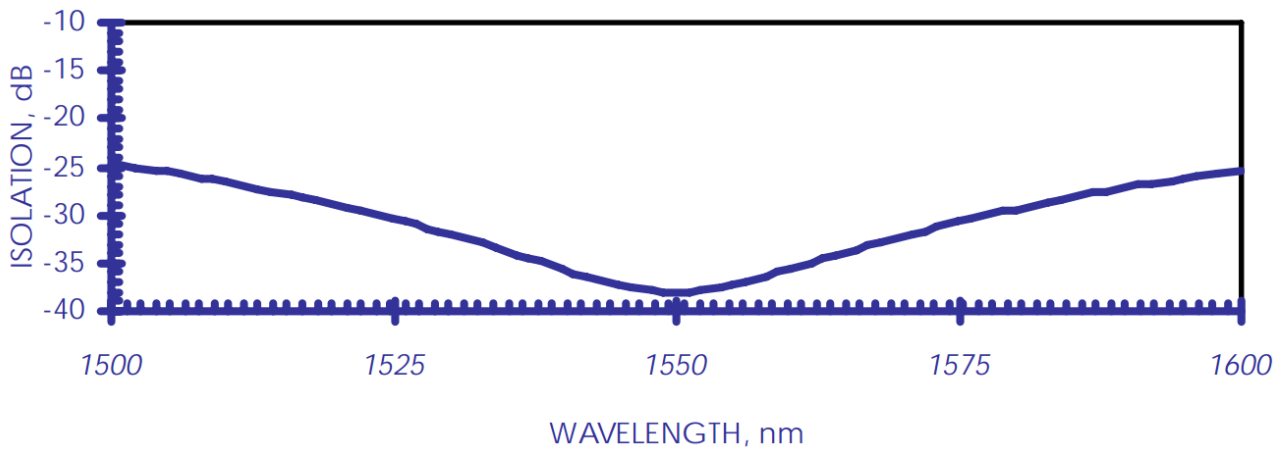
	SP-SS	SP-SD
Wavelength (specify center wavelength)	1310nm 1550nm	
Peak Isolation (typical)	≥ 40dB	≥ 60dB
Isolation Over Wavelength	≥ 20dB	≥ 45dB
Insertion Loss (typical)	≤ 0.1dB	≤ 0.4dB
Insertion Loss Over Wavelength	≤ 0.4dB	≤ 0.6dB
Clear Aperture	1.0mm or 1.4mm	
Bandwidth	± 20nm	±15nm
Diameter (nominal)	3mm	
Length	1.9mm	3.5mm
Operating Temperature	-20°C to +70°C	0°C to +70°C
Storage Temperature	-40°C to +85°C	

Wavelengths from 1300-1620nm are also available.

For custom configurations or specifications, please contact an ISOWAVE sales engineer.

THEORETICAL ISOLATION CURVE

Model# I-15-SP



Ordering Information

