

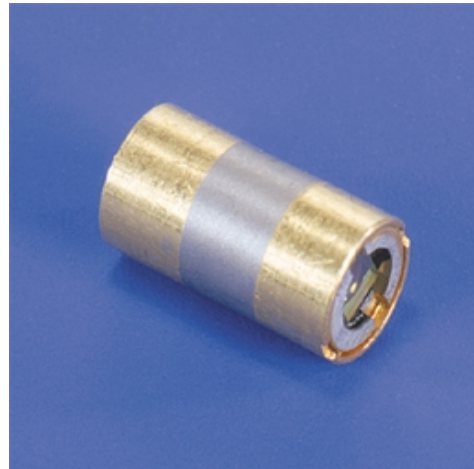
1310nm and 1550nm

Product Description

The MicroMini isolators incorporate highly efficient optical components into a micro-miniature package.

ISOWAVE's double isolator offers the highest peak isolation available and includes the same polarization axis for input and out-put light.

ISOWAVE's semi-double isolator includes one polarizer between two Faraday rotators, offering superior isolation over wide ranges of temperature and wavelength.



Applications

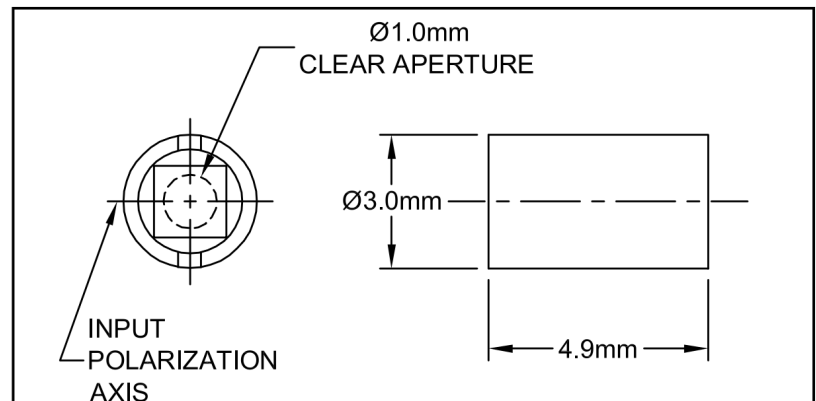
- Semiconductor Laser Modules
- Tunable Laser Modules
- Small Form Factor Laser Modules

Features

- Low Insertion Loss
- High Isolation
- Micro-Miniature Size
- Broad Bandwidth
- Wide temperature range
- Polaziation alignment

OUTLINE DRAWING

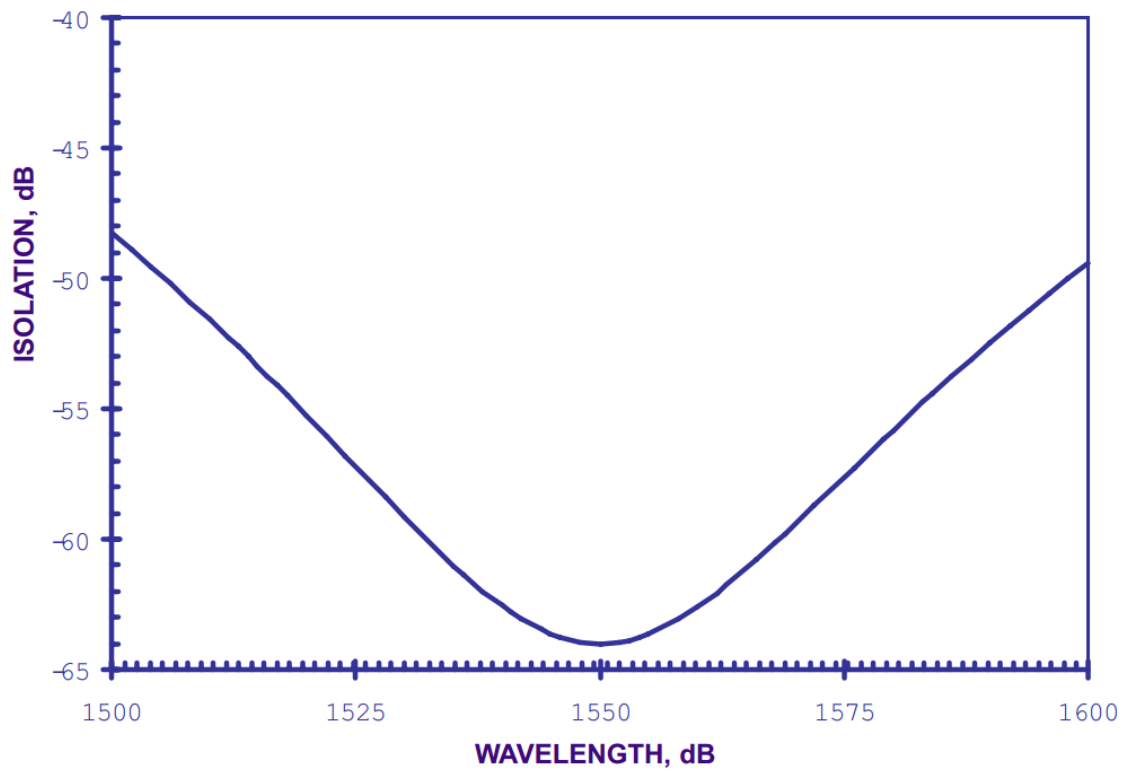
Model # I-15-MM-SD-4



	MM	LM	MM-SD	LM-SD	MM-TD	LM-TD
Wavelength	1310nm		1310nm		1310nm	
	1550nm		1550nm		1550nm	
Isolation at 23°C	≥ 38dB		≥ 55dB		≥ 63dB	
Isolation ± 20nm and over operating temperatures	≥ 20dB		≥ 45dB		≥ 45dB	
Insertion Loss (typical)	≤ 0.2dB		≤ 0.4dB		≤ 0.5dB	
Insertion Loss Over Wavelength	≤ 0.4dB		≤ 0.6dB		≤ 0.7dB	
Clear Aperature (mm)	1.0	1.4	1.0	1.4	1.0	1.4
Bandwidth	± 20nm					
Diameter (nominal) (mm)	3	4	3	4	3	4
Component Tilt Option	0° or 4° (as specified)					
Length:						
0° tilt	≤ 2.5mm		≤ 4.7mm		≤ 6.75mm	
4°	≤ 3.0mm		≤ 5.0mm		≤ 7.0mm	
Operating Temperature	-20° to +70°C		0° to +70°C			
Storage Temperature	-40° to +85°C					
For custom configurations or specifications, please contact an ISOWAVE sales engineer.						

THEORETICAL ISOLATION CURVE

Model # I-15-MM-SD-4



ORDERING INFORMATION

