

1064nm

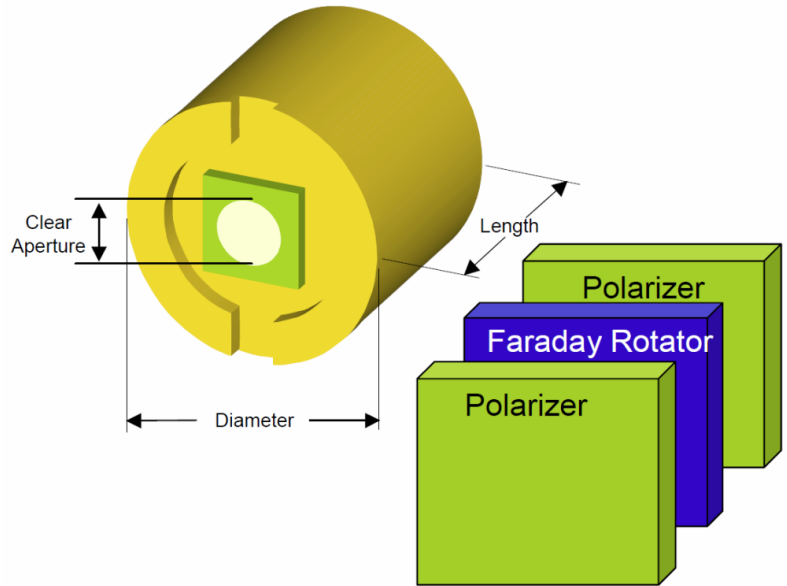
Product Description

The I-106-LM miniature design provides flexibility, convenience and performance for low power lasers in the 1040 through 1090nm wavelength range. This design incorporates a Faraday rotator made of LPE film.

All our units are marked for polarization orientation on the input side.

This model is recommended for low power applications only, due to absorption of the Faraday rotator material. Metal-bonded or hermetic construction options are available for OEM requirements.

Standard wavelength of optimization is 1064nm. When placing an order please specify preferred wavelength of optimization.

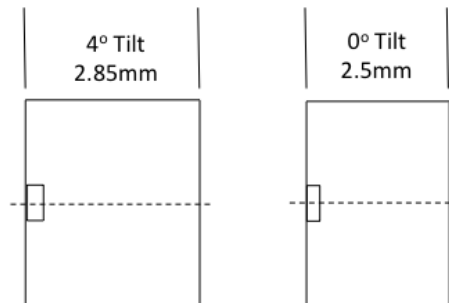
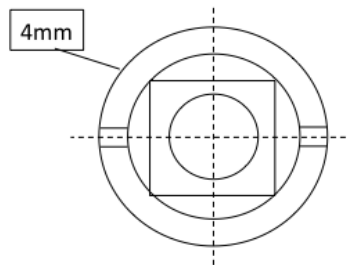


Applications

- Semiconductor Laser Modules
- Tunable Laser Modules
- Small Form Factor Laser Modules

Features

- Low Insertion Loss
- High Isolation
- Micro-Miniature Size
- Broad Bandwidth
- Wide temperature range
- Polarization alignment



I-106-LM	
Wavelength (specify center wavelength)	1040nm - 1090nm
Peak Isolation	≥ 40dB
Isolation Over Temperature:	≥ 23dB
Insertion Loss (typical)	≤ 1.0dB
Insertion Loss (maximum)	≤ 1.5dB
Diameter (nominal)	4.0mm
Length:	
0° tilt	≤ 2.5mm
4° tilt	≤ 2.85mm
Clear Aperture	1.4mm
Operating Temperature (non-condensing)	-20° to +70°C
Storage Temperature (non-condensing)	-40° to +85°C
Polarization of Input	Indicated

Polarization of Output

45° (nominal) to input